

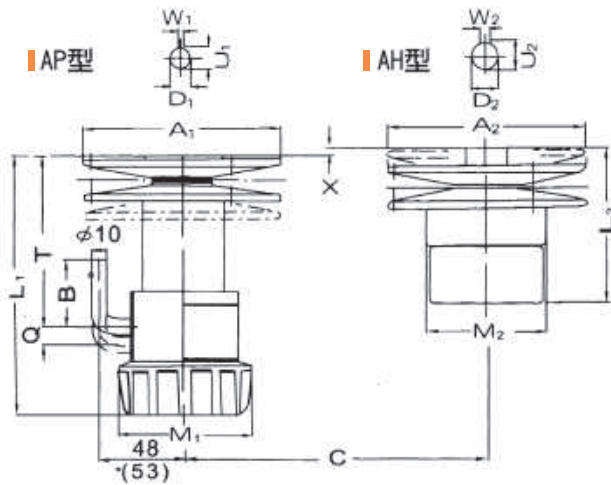
VARITRON[®]
Take Control In Speed

驅動科技系列產品
Power Transmission Technologies



APH Miki Type Belt Variable Speed Pulleys 三木式皮帶無段變速機

Dimensions 外型尺寸表



Frame Size 型號	AP												AH									
	A1	M1	L1	B	Q	T	D1	U1	W1	Max P.D	Min P.D	kg	A2	M2	L2	D2	U2	W2	Max P.D	Min P.D	X	kg
APH02	90	70	141	-	10	65	11 14	16.5	-	85	34.5	2.0	106	67.5	91	12 15	14 17.5	4 5	101	53.5	-2	1.4
APH05	124	86	164	53	11	107	14 16	16.5 18.5	5	114	58	2.4	124	79	122	15 18	17.5 20.5	5	118	62	10	2.3
APH1	140	86	172	53	15	122	19 24	22 27.5	6 8	135	58	2.7	155	94	150	18 22	20.5 25.5	5 7	150	77	10	4.0
APH2	155	86	205	53	17	142	24 28	27.5 31.5	8	148	60	3.6	185	104	172	22 25	25.5 28.5	7	178	103	14	6.0
APH3	185	86	217	53	21	165	28	31.5	8	178	70	5.0	216	126	205	25	28.5	7	208	112	17.5	8.7
APH5	185	86	225	74	17.5	162	28	31.5	8	172	70	5.1	224	76	165	25 30	34	7	216	120	40	10
APH8	220	200	270	75	34	210	38	41.5	10	240	115	12.5	325	200	205	35 40	38.5 43.5	10	290	175	70	23

Frame Size 型號	Motor HP(kW) 馬達	Combination 變速機組合	Ratio 變速比	Belt 皮帶	Belt 皮帶	Belt 皮帶
				Center Dist. 兩輪間距	Center Dist. 兩輪間距	Center Dist. 兩輪間距
APH02	1/4 (0.2)	AP90 AH106	1:4	1022V220 163	1022V247 200	
APH05	1/2 (0.4)	AP124 AH124	1:3.5	1422V270 200	1422V300 242	1422V330 278
APH1	1 (0.75)	AP140 AH155	1:4	1422V270 172	1422V300 214	1422V330 250
APH2	2 (1.5)	AP155 AH185	1:4	1922V298 182	1922V321 211	1922V338 235
APH3	3 (2.2)	AP185 AH216	1:4.5	2322V364 230	2322V396 275	2322V421 306
APH5	5 (3.7)	AP185 AH224	1:4	41x988 250	41x1063 293	41x1263 390
APH8	7.5 (5.5)	AP250 AH325	1:4	4430V630 457	4430V670 507	

※ Combination With Worm Gear (Option).

※ 附蝸輪型(選配)。



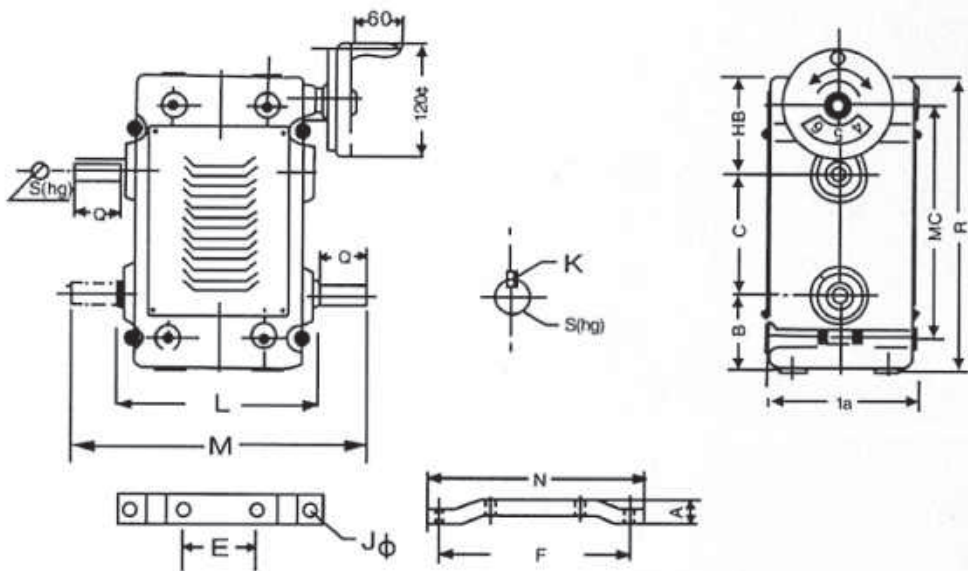
WRV-H



WRV-V

HV Type Belt-Variable Stepless Speed Changer 皮帶式無段變速機

Dimensions 外型尺寸表



- 1:4 Ratio ($\frac{1}{2}$ ~2times input rpm) 變速比 1:4 (入力軸迴轉數的 $\frac{1}{2}$ ~2 倍)
- Works on clockwise & anti-clockwise 軸的旋轉，正逆無限制。
- Interchange foot mount for vertical or horizontal installing. 依腳架裝置，可橫、立式使用。
- Compact design 不佔空間，小巧型設計。
- Easy maintenances, no lubrication oil changing 保養容易，不必加油，拆卸容易。
- Economy with long service life 經濟實用壽命特長。

Notice 注意事項

- No speed adjusting when stopped. 停止時禁止調速
- Check correct installing side for Input & Output shaft 正確選用入力軸、出力軸側
- Input Shaft rpm between 600~1200rpm 入力軸迴轉數，僅可能選擇在 600rpm ~1200rpm 之間。

Frame Size 型號	馬力 (HP)	N	C	Ia	F	R	A	MC	Q	L	S ₀	B	J ₀	M	K	E	HB
HV05	$\frac{1}{2}$	216	122	146	186	294	19	232	40	173	17	72	12	265	5x5	90	100
HV1	1	240	129	155	210	309	22	245	50	197	20	76.5	13	310	5x5	100	103.5
HV2	2	260	147	172	230	350	24	280	60	210	25	87.5	14	335	6x6	110	115.5
HV3	3	290	171	198	260	400	24	312	70	238	30	100	14	390	7x7	126	129

POWER TRANSMISSION INDEX

A1

Cycloidal Drive Reducer

賽驅樂減速機

HM



Pg.A47

HX



Pg.A55

H



Pg.A61

VM



Pg.A64

VX



Pg.A72

V



Pg.A78

Page
A01~A82

A2

RV Precision Cycloidal Gear

高精密擺線減速機

RV-E



Pg.A84

RV-C



Pg.A84

Page
A83~A84

B1

Precision Planetary Gearbox

精密行星減速機

DA



Pg.B06

DG



Pg.B08

DGT



Pg.B10

DM



Pg.B12

DML



Pg.B14

DF



Pg.B16

DH



Pg.B18

DL



Pg.B20

DN



Pg.B22

RAM-S



Pg.B24

RAM-SS



Pg.B25

RAM-H



Pg.B26

RAM-D



Pg.B27

RAM-F



Pg.B28

RAH-S



Pg.B30

RAH-SS



Pg.B31

RAH-H



Pg.B32

RAH-D



Pg.B33

RAH-F



Pg.B34

HRP



Pg.B38

HRP-H



Pg.B39

Page
B01~B39

B2

Planetary Gear Reducer

遊星式減速機

HF



Pg.B47

VF



Pg.B48

HS



Pg.B49

VS



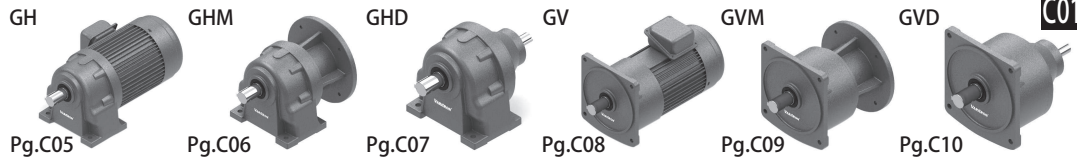
Pg.B50

Page
B40~B51

C1

Compact Helical Gear Motor Reducers

小型齒輪減速機



Page
C01~C10

C2

Helical Gear Motor Reducers

齒輪減速機



Page
C11~C16

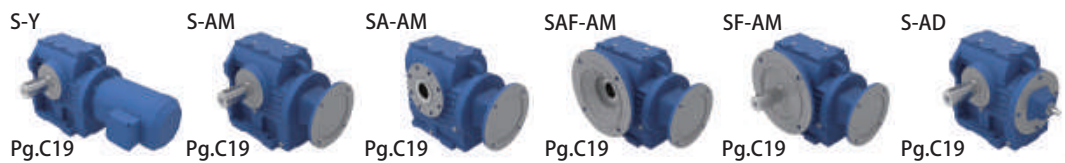
C3

SEW Type Gear Reducer

歐規齒輪減速機



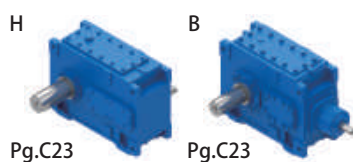
Page
C18~C21



C4

Industrial Helical Bevel Gearbox

齒輪箱



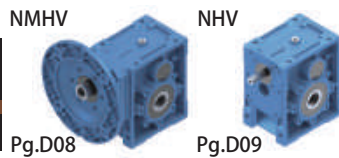
Page
C22~C23

POWER TRANSMISSION INDEX

D1

NMHV Hypoid-Helical Gear Reducer

萬向螺旋齒輪減速機



Page
D01~D09

D2

NMRV Worm Gear Reducer

萬向蝸輪減速機

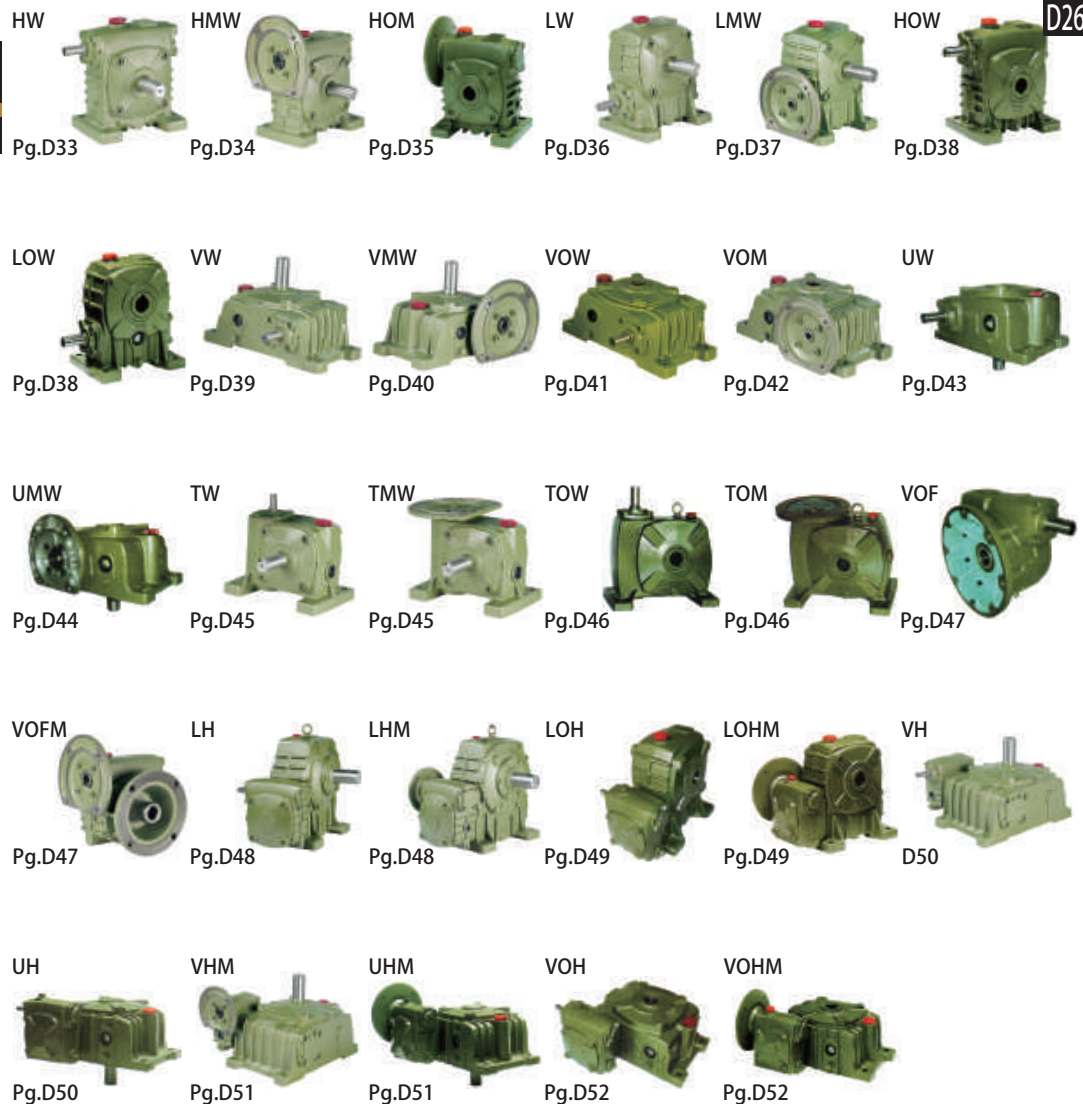


Page
D10~D25

D3

Worm Gear Speed Reducer

蝸輪減速機



Page
D26~D53

E1

Disco Speed Variator

無段變速機

AM



Pg.E07

AK



Pg.E07

AVM



Pg.E07

AV



Pg.E07

AHM



Pg.E07

TXF



Pg.E08

TKF



Pg.E08

Page
E01~E08

E2

Belt Stepless Variable Speed Drive

皮帶變速機

APH



Pg.E09

HV



Pg.E10

Page
E09~E10

E3

Five Steps Buffered Speed Changer

五段緩衝式變速機

LM



Pg.E11

Page
E11

E4

PIV Chain Variable Speed Drive

鍊條無段變速機

PIV-H



Pg.E13

PIV-V



Pg.E13

Page
E12~E14

F1

Spiral Bevel Gear Box

十字轉向機

LG



Pg.F03

Page
F01~F03

F2

Spiral Screw Rod Actuators

螺桿升降機

SR



Pg.F06

SRM



Pg.F06

Page
F05~F07

G

Induction Electric Motor

感應馬達

AEEH/AEPP/AEES



Pg.G06

AEVH/AEVP/AEVS



Pg.G07

AEEH-ALB3



Pg.G09

AEVH-ALB5



Pg.G10

AEVH-ALB14



Pg.G10

Page
G01~G10

H

Agitator Mixer

攪拌機

HMM



Pg.H05

LCV



Pg.H06

GVV



Pg.H07

CS/CSS



Pg.H08

HMB



Pg.H09

SC/SCB

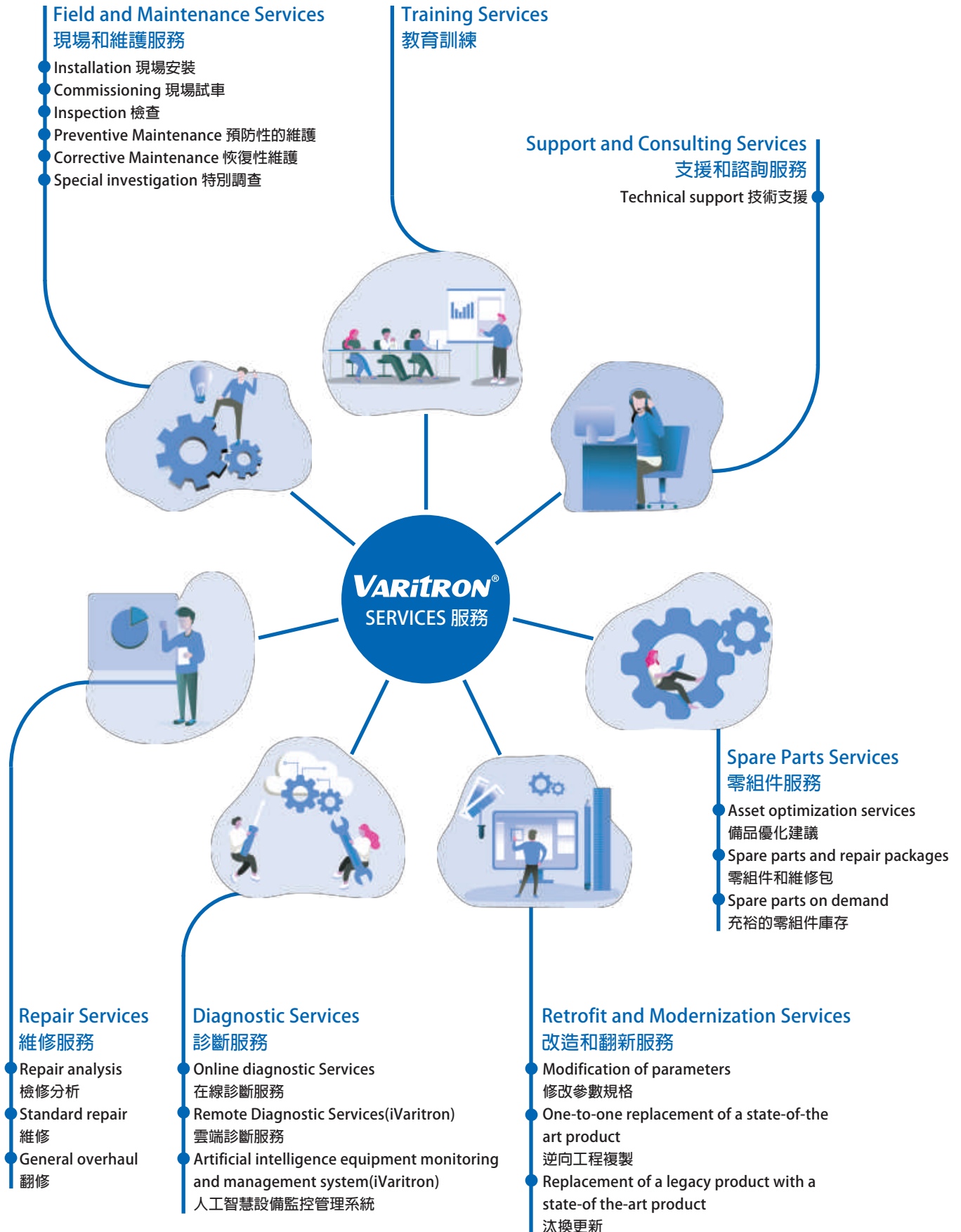


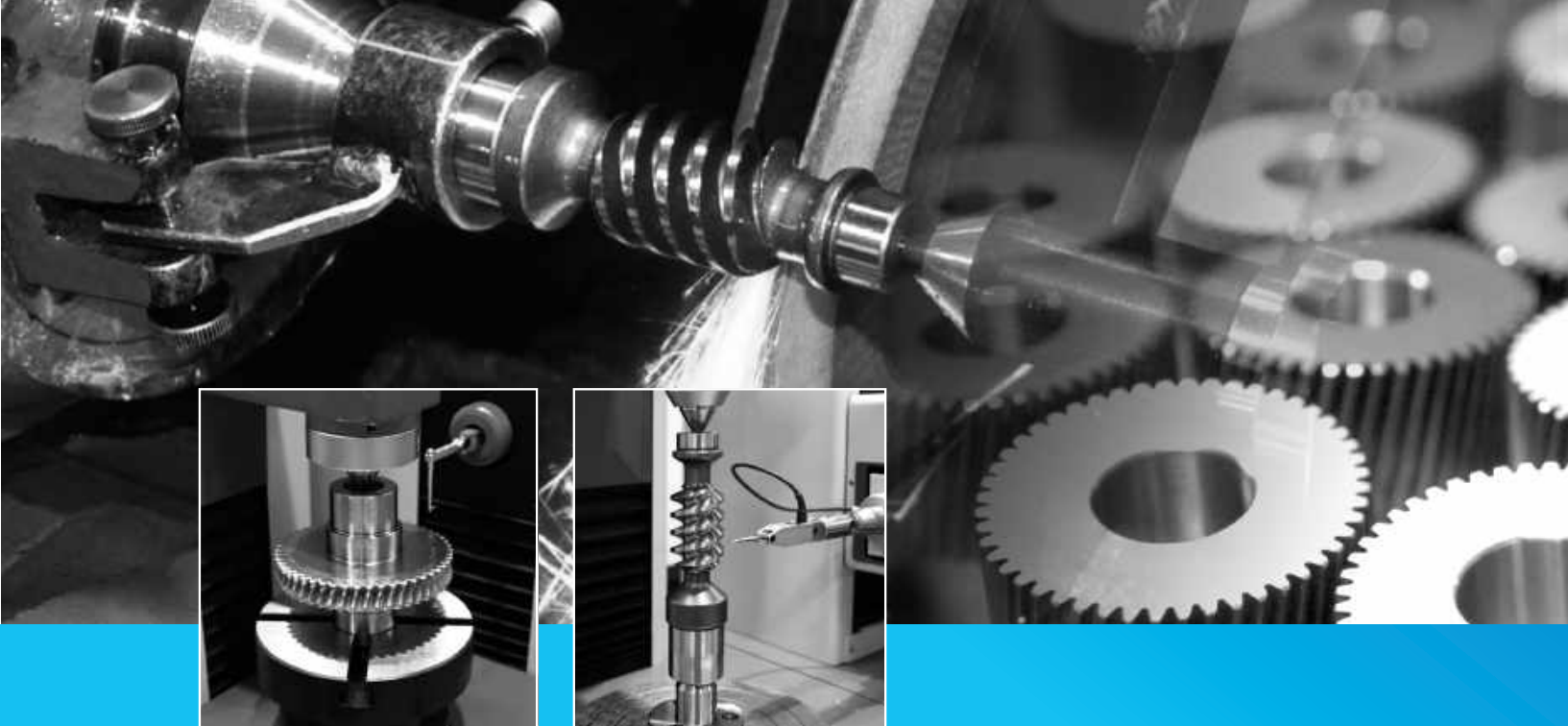
Pg.H10

Page
H01~H10

VARITRON® Total Solution for Transmission Units

全方位的驅動產品服務





MADE IN TAIWAN

Service perfection, Quality superiority, Research and Development are the core enterprise spirits of VARITRON since 1971. Responding to both domestic customers and international market demands, we never stop to make innovation for gearbox function, efficiency and quality improvement, accompany with accurate and in-time after service. To improve quality control, VARITRON has been certified with ISO9001 since 2008.

Varitron wide power transmission product line including Cycloidal Drive, Precision Planetary Gearbox, Helical Gearmotor, Planetary Gear Reducers, Worm Gearbox, Variator and Induction Motor provides different industries sectors including CNC Machineries, Semi-conductor, Chemical, Steel Industries, Factory facilities, Automation Machineries, robo-tic arm With Varitron strong mechanical engineering team, Varitron provides customizes transmission gearbox and many newly innovated pattern products.

Service

Towards Varitron's Half-century, we serve more than 40 countries. VARITRON has more than 10 service points in cooperation with regional agents globally to timely assist our customers not only for hardware, like parts and maintenance, but also for software, like design consultant

Quality

Quality Perfection is Varitron's core value, new machinery and quality check equipment is deploy in the manufacturing. Minimum 30 quality check point is done from raw material to final gearbox. In-house testing laboratory, ISO9001 and ISO14001 quality control system to ensure every gearbox meets perfection.

Innovation

Our specialized R&D teams constantly developing new gearbox, gear motor and motors for effectively fabricating transmission products, and working to improve machine quality. VARITRON never stops doing market surveys and attending international exhibitions. With decades of knowledge accumulated about market information and changes in machineries trends, we can provide the most valuable information to our clients and assist our clients in industrial upgrading.



VARITRON®
Take Control In Speed

「服務」、「品質」、「研發」是中國變速工程股份有限公司自1971年成立以來一直秉持的核心精神。為因應國際多元化的市場需求，我們不斷挑戰速度及品質的極限亦擁有領先且精密的技術，在近半世紀的努力下，終於從一家國內的減速機工廠蛻變為國際優秀的工業自動化領導品牌。

本公司生產之減速機種類多元，包含賽驅樂減速機、低背隙行星減速機、齒輪減速機、遊星式減速機、蝸輪減速機、無段變速機、攪拌機系列等等，其工業品上的應用更是跨足不同產業，從CNC自動化、汙水處理廠、造紙廠、機械手臂、半導體及到化工廠等等…。為了滿足客戶各項傳動需求，我們尚提供客製化技術，為客戶量身打造一套屬於自己的產品，為客戶節省更多測試及人力成本。

我們具有性能卓越的獨家技術、不斷研發的專利產品，同時還有完善的售前/後服務，才能讓本公司於眾多製造廠商中脫穎而出。

服務

經過半世紀的努力，我們的客戶已超過40個國家，為因應海外市場龐大的業務量及秉持服務品質不縮水的精神，我們已在海外增設多個據點，提供給客戶更即時性的服務。

品質

因為品質的堅持是我們最重要的信念，所以本公司引進最新型、最先進的技術及機器，生產的每樣產品從原料到成品皆須歷經30道以上的檢驗關卡，我們希望透過最嚴謹的製造流程，來確保品質的無虞，並致力通過ISO9001及ISO14001的認證。除證實我們對於品質與自我的要求外，更帶領我們達到積極追求的目標 - 「提供高效率且環境友善的產品」，為環境永續更盡一份心力。

研發

本公司憑藉著永續經營、鍥而不捨的研發精神，不斷吸納專業人才、研發新技術，並努力拓銷至國際市場(韓國、日本、東南亞、澳洲、美國及歐洲等四十多個國家)，歡迎您來體驗中國變速所帶給您的傳動新感受。

www.varitron.com.tw
www.c-var.com

台灣 **中國變速工程股份有限公司**
Varitron Engineering (Taiwan) Co., Ltd.

台灣新北市五股區中興路一段171巷45號
No.45, Ln.171, Sec.1, Zhongxing Rd.,
Wugu Dist., New Taipei City, Taiwan
TEL:+886-2-2988-9598
FAX:+886-2-2985-0998
EMAIL:sales@c-var.com

