

VARITRON[®]
Take Control In Speed

驅動科技系列產品
Power Transmission Technologies



DISCO Speed Variator

Disco 無段變速機



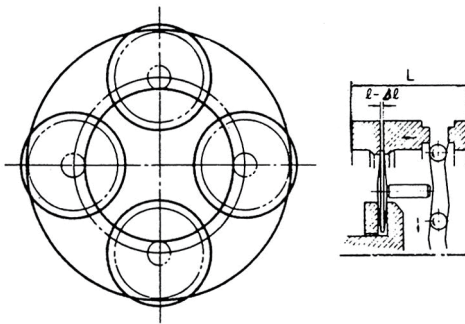
VARITRON® Speed Variator is an integrate design with high efficiency, compact size, long life span and simple structure invention. It is the most highly used speed variator in modern industrial. Its torque transmission is by using fixed-star wheel friction, where stability, abrasion resistance and toughness are the best in variator device.

無段變速機為一結合高效率、體積小、壽命長、構造簡單於一身的完美發明，是目前各國先進國家使用率最高的機械式無段變速機，其扭力傳動方式，係利用多數平面滾動摩擦及自動調壓裝置結合而方，其穩定性、耐磨性及韌性是一般無段變速機所無法達到的特點，為一種真正能附合時代的專利產品。

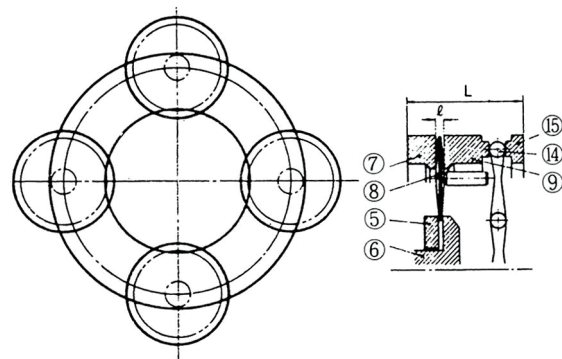
Principle of Speed Change 操作原理

When the motor drives the fixed-star wheels(5)(6)to rotate, the planet wheel(8)is actuated to perform such functions as rotation and revolution due to pressure from the fixed – star wheel(5)(6), the outer ring(7) and speed regulating cam(9). Turn the handle to adjust speed of cam(9), steel-bearing ball ring(14), and radius of the fixed cam(15) and the controlling plate wheel(8). When the planet wheel(8) takes a revolution, it will cause the output shaft to turn one cycle. When the outer ring(7) and speed regulating cam(9) contact with the inner circle of planet wheel(8), it will prolong the time for revolution. This means that the slow-down of output will increase torque. (as below)

當馬達帶動太陽輪(5)(6)旋轉，游星片(8)受太陽輪(5)(6)及外環(7)、調速輪(9)的接壓，產生自轉及公轉，當把手轉動時，調速凸輪(9)，鋼珠(14)及固定凸輪(15)控制游星片(8)自轉及公轉的半徑距離，游星片(8)公轉一週，即輸出軸一轉。當外環(7)及調速凸輪(9)接觸游星片(8)內圓時，公轉的時間拉長，故輸出速度減慢，扭力增加。(如下圖)



Highest Output Speed
出力軸迴轉速最高時



Lowest Output Speed
出力軸迴轉速最低時



Speed Variator Design Advantage Disco 無段變速機特長

Low Speed, High torque

VARITRON® speed variator ranging from 0.18kW to 22kW, its torque is conduct by multiple sets of bevel planetary disk, superior in handling over loading, impact and reverse impact. During low speed, plane wheel have larger contact thus high torque and high efficiency.

Totally Enclosed Design

VARITRON® speed variator is totally enclosed to ensure high performance under severe environmental. Speed variator that is inherently explosion-proof. Just add an explosion-proof motor, and you can have the adjustable speed versatility in a hazardous environment.

Speed Stability Within 1%

The speed adjustment setting remains stable over a long period of time with speed stability within 0.1%.

Compact, Light Weight with Modular Design

Modular design offers diversified configurations and excellent interfacing capability. With the use of various input attachments, a generic main body can have three different input options including input shaft, IEC adapter, and integral speed reducer.

Minimum Maintenance and Easy to Operate

Changes Speed through hand wheel, offers excellent performance at low output speed that is unparalleled by DC or inverter drives.

Wide range of applications

VARITRON® speed variator can be installed in any orientation with only a simple change of breather, oil filler hole, and drain plug locations.

低速時扭力變大效率高

無段變速機，輸入容量自0.18kw~22kw，其扭力的傳導是由多組斜面游星片的傳導，所以能夠承受過負載、衝擊負荷和反動作負荷的特殊環境，在低速時因游星片軌道擴大，故扭力變大效率特高。

全封閉機械式變速

無段變速機，經由機械方式變速，且全封閉在框架內，故在特殊場所，如爆炸性、易燃性、粉塵性、酸鹼性、潮濕性場所，只要馬達選用得當，均能適應沒有危險且壽命長。

穩定：速度變動率在1%以內

機械式變速的另一特色，就是速度穩定變動率低不會因環境溫升改變或使用過久而失去準確性。

體積小、重量輕、介面特性佳

本體1HP僅137mm長，體積小重量輕，且立式、臥式、雙軸型均可製造在整體的聯動系統中，可適用單一馬達驅動，降低成本、減少故障，提高系統聯動的特性。

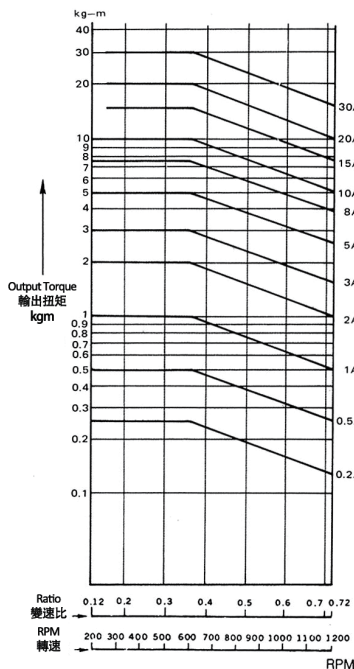
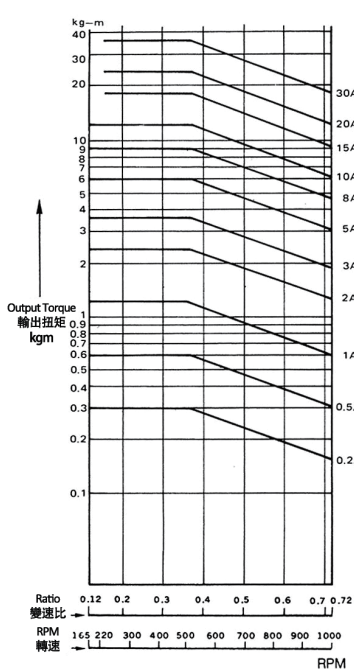
變速操作容易

由於採用操作輪，變速容易，運轉中不管是否在負載狀態下，均可快速而確實地變速，並且可以裝用各種遙控裝置，與P.I.D.自動控制。

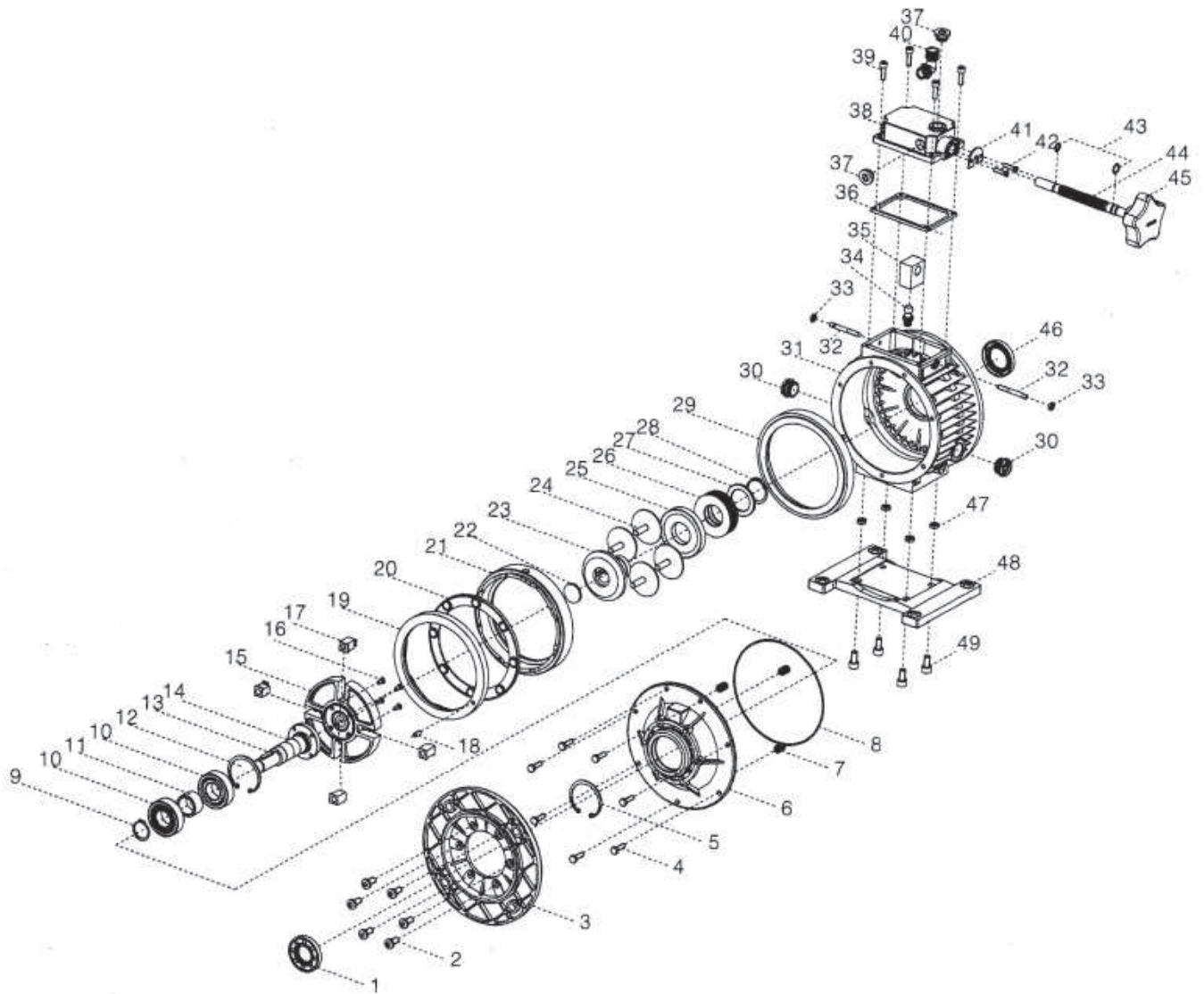
應用範圍廣泛

任何速度均可指定，任何角度均可安裝，不受入立軸轉速的限制，且能配合各種減速機使用。

Output Speed-Torque Table
出力軸迴轉速-轉矩曲線圖表



Construction Drawing 構造圖



Item 項次	Component 零組件	Item 項次	Component 零組件	Item 項次	Component 零組件
1	Oil seal 油封	18	Elastic pin 彈性柱銷	35	Speed nut 調速螺母
2	Inner hex screw 內六角螺絲	19	Fixed CAM 固定凸輪	36	Rubber gaskets 橡膠墊片
3	Output flange 輸出法蘭	20	Ball ring 滾珠環	37	Oil plug 油塞
4	Hexagon Screws 外六角螺絲	21	Speed CAM 調速凸輪	38	Operating cover 操作蓋
5	Hole-Circlip R型扣環	22	Oil seal Cap 無孔油封	39	Inner hex screw 內六角螺絲
6	Output cover 輸出端蓋	23	Input active wheel 入力主動輪	40	Bent pipe 彎管
7	Spring 彈簧	24	Planet cone-disk 行星錐盤	41	Baffle 擋板
8	O-ring O形密封圈	25	Pressure plate 壓盤	42	Screws 螺釘
9	Shaft-Circlip C型扣環	26	Will spring 蝶形彈簧	43	O-ring O型密封圈
10	Bearing 軸承	27	Block circle 擋圈	44	Screw 絲杆
11	Shaft Collar 軸套	28	Shaft block 軸用擋圈	45	Speed control handle 調速把手
10	Hole-Circlip R型扣環	29	Internal planet ring 內遊星環	46	Oil seal 油封
13	Parallel key 平鍵	30	Oil guage 視油鏡	47	Nut 螺母
14	Output shaft 輸出軸	31	Housing 本體	48	Foot bottom 底腳
15	Turn arm 轉臂	32	Bolt 螺栓	49	Inner hex screw 內六角螺絲
16	Screws 螺釘	33	Nut 螺母		
17	Slider 滑塊	34	Ball head speed control handle 球頭調速柄		

How to order 選型

AM 5 - M1 - 1 - 2 -

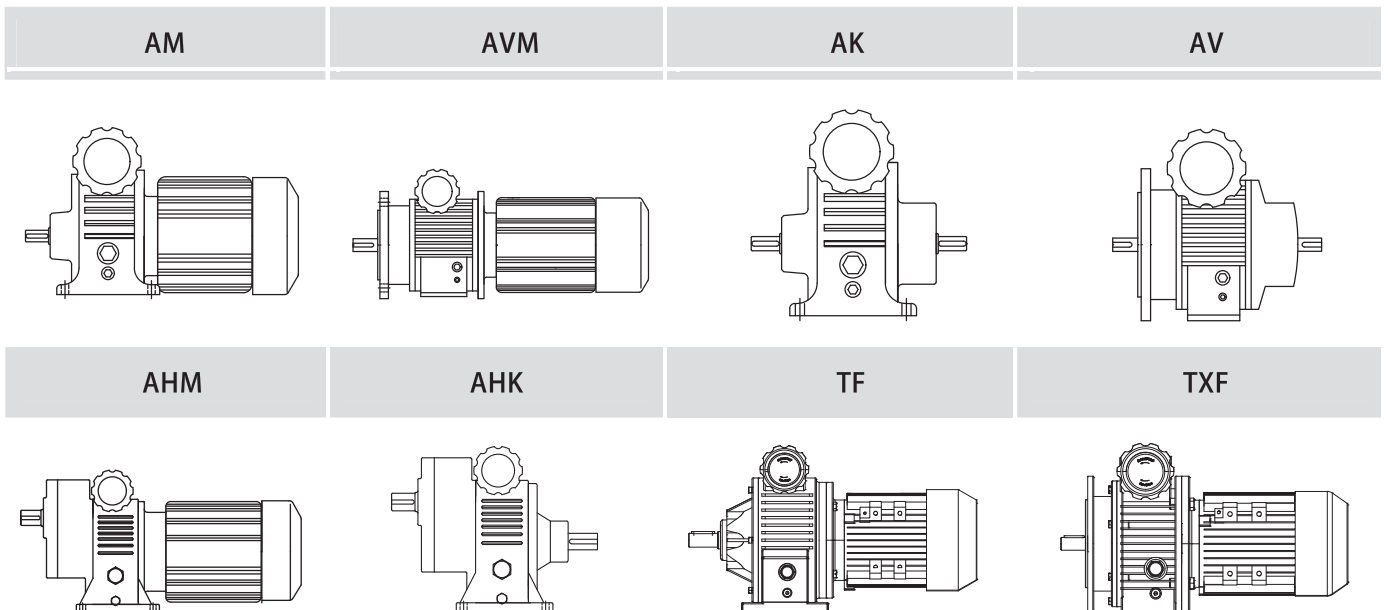
.....
Option 選配

①	②	③	④	⑤	⑥
①	Model 型式	AM: Foot Mount with Motor AVM: Flange Mount with Motor AK: Foot Mount with Input Shaft AV: Flange Mount with Input Shaft AHM: Integrated Gear Unit Foot Mount with Motor AHK: Integrated Gear Unit Foot Mount with Input Shaft TF: EU Type Aluminum Foot Mount TXF: EU Type Aluminum Flange Mount	腳座型附馬達 法蘭型附馬達 腳座型入力軸式 法蘭型入力軸式 齒輪組腳座型附馬達 齒輪組腳座型入力軸式 鋁殼歐規腳座型 鋁殼歐規法蘭型		
②	Frame Size 型號	AM/AVM/AK/AV/AHM/AHK: 02,05,1,2,3,5,8,10 TF/TXF: 002/005/010/020/030/050/100			
③	Operation Direction 使用方向	M1 (Standard 標準), M2, M3, M4, M5, M6 Refer to page E05. 參考第 E05 頁			
④	Adjusting Wheel Position 調整輪方向	1 (Standard 標準) 2			
⑤	Terminal Box Direction 電器盒方向	1/2 (Standard 標準) / 3/4			
⑥	Reducer 減速機 (Optional 選項)	HX/VX: Cycloidal Drive 賽驅樂減速機 Page A55~A60,A72~A77. 第 A55~60, A72~77 頁 NMRV: Worm Gear 萬向蝸輪減速機 Page D10. 參考第 D10 頁 NMHV: Hypoid-Helical Gear Reducer Series 螺旋齒輪減速機系列 Page D01 頁 HMW/LMW//UMW/TMW ..: Cast Iron Worm Gear 鑄鐵蝸輪減速機 Page D26 頁 GHM/GVM: Helical Gear Reducer 齒輪減速機 Page C01. 參考第 C01 頁			

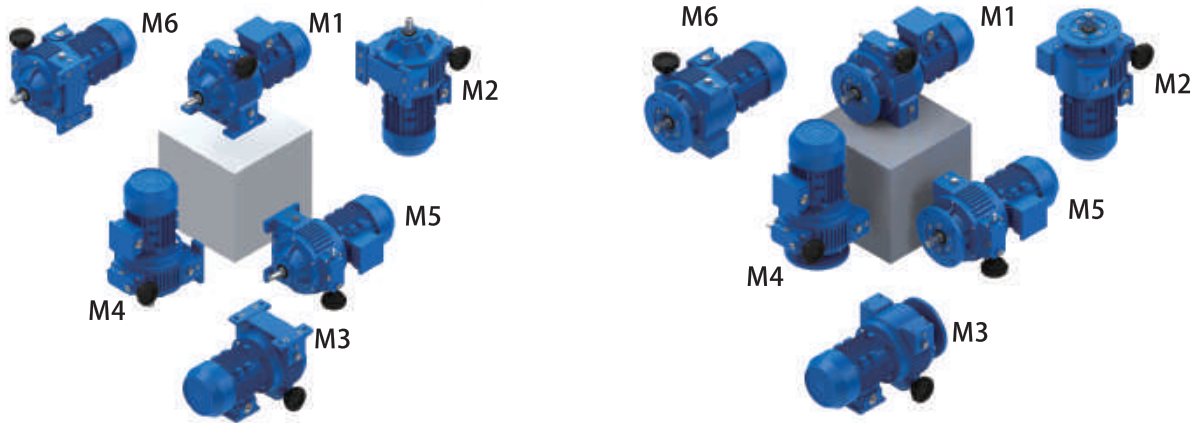
※ Dimensions and specifications in the catalog are subject to change without notice. 尺寸及規格若有變動，將不另行通知。

※ Optional Smart Monitoring System can be integrated, contact Varitron® or your sales personal. 如需加購智能監控系統，請洽中國變速。

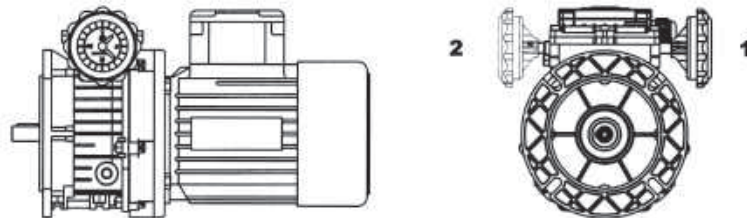
Model 型式 ①



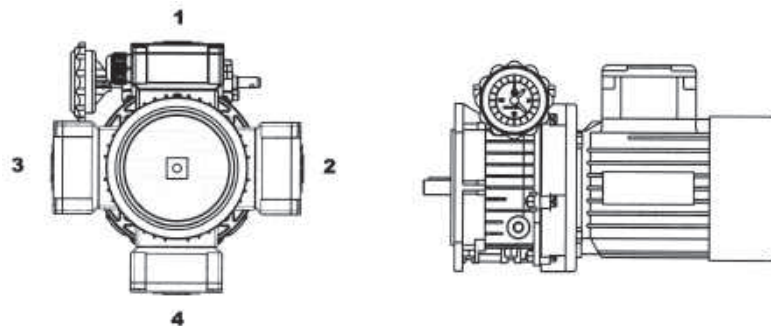
Operation Direction 使用方向 ③



Adjusting Wheel Position 調整輪方向 ④



Terminal Box Direction 電器盒方向 ⑤



Model Photo 型式照片



Performance Chart 特性表

Standard type 基本型 AM. AVM. AK. AVK

Power 馬力 Hp(kW)	Frame Size 型號				Ratio 變速比	Speed Range 變速範圍	Revolution Speed 出力軸回轉速 rpm		Output Torque 出力軸轉矩 kg-m		Radial Load 容許外伸負荷 kg		Axial Load 容許推力負荷 kg	
	With Motor 附馬達型	Double Shaft 雙軸型	50Hz	60Hz			50Hz	60Hz	Input Shaft 入力軸	Output Shaft 出力軸	Input Shaft 入力軸	Output Shaft 出力軸		
													AM	AVM
1/4(0.18)	AM02	AVM02	AK02	AVK02	1 : 6	1/8.4~1/1.4	185~1000	200~1200	0.3~0.15	0.25~0.13	30	40	20	30
1/2(0.37)	AM05	AVM05	AK05	AVK05	1 : 6	1/8.4~1/1.4	185~1000	200~1200	0.6~0.3	0.5~0.25	40	80	35	50
1(0.75)	AM1	AVM1	AK1	AVK1	1 : 6	1/8.4~1/1.4	185~1000	200~1200	1.2~0.6	1~0.5	50	100	44	106
2(1.5)	AM2	AVM2	AK2	AVK2	1 : 6	1/8.4~1/1.4	185~1000	200~1200	2.4~1.2	2~1	75	130	82	130
3(2.2)	AM3	AVM3	AK3	AVK3	1 : 6	1/8.4~1/1.4	185~1000	200~1200	3.6~1.8	3~1.5	150	190	140	170
5(3.7)	AM5	AVM5	AK5	AVK5	1 : 6	1/8.4~1/1.4	185~1000	200~1200	6~3	5~2.5	150	190	140	170
7.5(5.5)	AM8	AVM8	AK8	AVK8	1 : 6	1/8.4~1/1.4	185~1000	200~1200	9~4.5	7.5~3.8	175	220	150	200
10(7.5)	AM10	AVM10	AK10	AVK10	1 : 6	1/8.4~1/1.4	185~1000	200~1200	12~6	10~5	175	220	150	200

EU type 歐規 TF. TXF

Power 馬力 Hp(kW)	Frame Size 型號		Ratio 變速比	Speed Range 變速範圍	Revolution Speed 出力軸回轉速 rpm		Output Torque 出力軸轉矩 kg-m		Output Shaft Radial Load	Output Shaft Axial Load	IEC Input Adaptor IEC 入力法蘭
	Foot Mount 腳座型	Flange Mount 法蘭型			50Hz	60Hz	50Hz	60Hz	出力軸徑向	出力軸軸向	
									負荷 kg	負荷 kg	
1/4(0.18)	TF002	TXF002	1 : 5	1/8.2~1/1.6	170~880	210~1050	0.3~0.15	0.25~0.13	40	30	63M-B5
1/2(0.37)	TF005	TXF005	1 : 5	1/7~1/1.4	200~1000	240~1200	0.6~0.3	0.5~0.25	80	50	71M-B5
1(0.75)	TF010	TXF010	1 : 5	1/7~1/1.4	200~1000	240~1200	1.2~0.6	1~0.5	100	106	80M-B5
2(1.5)	TF020	TXF020	1 : 5	1/7~1/1.4	200~1000	240~1200	2.4~1.2	2~1	130	130	90L-B5
3(2.2)	TF030	TXF030	1 : 5	1/7~1/1.4	200~1000	240~1200	3.6~1.8	3~1.5	190	170	100L-B5
5(3.7)	TF050	TXF050	1 : 5	1/7~1/1.4	200~1000	240~1200	6~3	5~2.5	190	170	112M-B5
7.5(5.5)	TF100	TXF100	1 : 5	1/7~1/1.4	200~1000	240~1200	9~4.5	7.5~3.8	220	200	132S-B5
10(7.5)	TF100	TXF100	1 : 5	1/7~1/1.4	200~1000	240~1200	12~6	10~5	220	200	132M-B5

※ For 15Hp (11kW) and above model, contact Varitron® or your sales personal. 如需 15Hp(11kW)以上規格請洽中國變速。

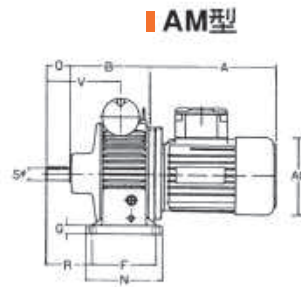
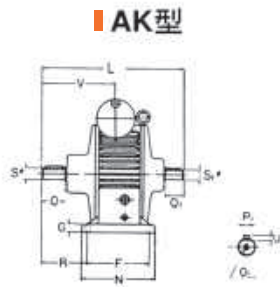
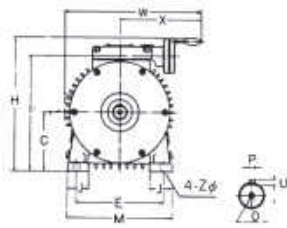
Integrated Gear Unit 附齒輪組型 AHM. AHK

Power 馬力 Hp(kW)	Gear Ratio 齒輪 減速比 i	Frame Size 型號		Ratio 變速比	Speed Range 變速範圍	Revolution Speed 出力軸回轉速 rpm		Output Torque 出力軸轉矩 kg-m		Radial Load 容許外伸負荷 kg	
		With Motor 附馬達型	Double Shaft 雙軸型			50Hz	60Hz	50Hz	60Hz	Input Shaft 入力軸	Output Shaft 出力軸
1/4(0.18)	1/2.5	AHM02	AHK02	1 : 6	1/21~1/3.5	66~400	80~480	0.71~0.36	0.59-0.3	30	70
1/2(0.37)	1/2.5	AHM05	AHK05	1 : 6	1/21~1/3.5	66~400	80~480	1.43-0.71	1.19-0.59	40	110
1(0.75)	1/2.5	AHM1	AHK1	1 : 6	1/21~1/3.5	66~400	80~480	2.85-1.43	2.38-1.19	50	170
2(1.5)	1/2.5	AHM2	AHK2	1 : 6	1/21~1/3.5	66~400	80~480	5.7-2.85	4.75-2.38	75	330
3(2.2)	1/2.5	AHM3	AHK3	1 : 6	1/21~1/3.5	66~400	80~480	8.55-4.28	7.13-3.56	150	480
5(3.7)	1/2.5	AHM5	AHK5	1 : 6	1/21~1/3.5	66~400	80~480	14.3-7.13	11.9-5.94	150	480
7.5(5.5)	1/2.5	AHM8	AHK8	1 : 6	1/21~1/3.5	66~400	80~480	21.4-10.7	17.8-8.9	175	650
10(7.5)	1/2.5	AHM10	AHK10	1 : 6	1/21~1/3.5	66~400	80~480	28.5-14.3	23.8-11.9	175	650
1/4(0.18)	1/5	AHM02	AHK02	1 : 6	1/42~1/7	33~200	40~240	1.43-0.71	1.19-0.59	30	70
1/2(0.37)	1/5	AHM05	AHK05	1 : 6	1/42~1/7	33~200	40~240	2.85-1.43	2.38-1.19	40	110
1(0.75)	1/5	AHM1	AHK1	1 : 6	1/42~1/7	33~200	40~240	5.7-2.85	4.75-2.38	50	170
2(1.5)	1/5	AHM2	AHK2	1 : 6	1/42~1/7	33~200	40~240	11.4-5.7	9.5-4.75	75	330
3(2.2)	1/5	AHM3	AHK3	1 : 6	1/42~1/7	33~200	40~240	17.1-8.55	14.3-7.13	150	480
5(3.7)	1/5	AHM5	AHK5	1 : 6	1/42~1/7	33~200	40~240	28.5-14.3	23.8-11.9	150	480
7.5(5.5)	1/5	AHM8	AHK8	1 : 6	1/42~1/7	33~200	40~240	42.8-21.4	35.6-17.8	175	650
10(7.5)	1/5	AHM10	AHK10	1 : 6	1/42~1/7	33~200	40~240	57-28.5	47.5-23.8	175	650

AM/AK/AVM/AV/AHM Disco Speed Variator 無段變速機

Dimensions 外型尺寸表

寸法圖

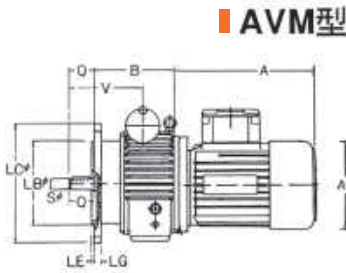
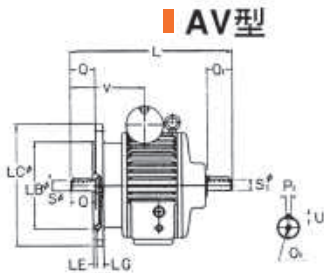
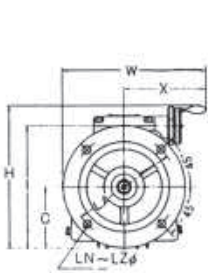


gear.fyi/amc

50Hz=167~1000RPM
60Hz=200~1200RPM

Frame Size 型號	A	B	C	E	F	G	H	I	J	K	L	M	N	O	O ₁	P	P ₁	Q	Q ₁	R	S	S ₁	U	U ₁	V	W	X	Z	kg
AM02/AK02	187	100	71	110	105	12	188	170	25	25	240	140	125	M5	M5	5	5	30	25	48	14	14	5	5	99	191	121	9	18
AM05/AK05	210	115	90	130	105	15	218	190	32	30	246	160	135	M5	M5	5	5	30	30	60	14	14	5	5	110	229	149	10	26
AM1/AK1	227	137	106	160	125	15	249	226	40	40	285	190	150	M6	M6	6	6	40	30	75	19	19	6	6	129	266	166	12	36
AM2/AK2	288	173	125	180	140	18	313	246	50	45	300	230	165	M6	M6	8	8	50	40	80	24	24	8	8	157	310	190	12	59
AM3/AK3	315	208	150	245	230	20	378	298	55	50	366	300	270	M8	M8	8	8	60	50	85	28	28	8	8	187	370	220	14	87
AM5/AK5	355	208	150	245	230	20	378	298	55	50	396	300	270	M8	M8	8	8	60	50	85	28	28	8	8	187	370	220	14	103
AM8/AK8	405	249	200	315	250	30	475	389	70	80	540	365	290	M10	M10	10	10	70	60	90	38	38	10	10	211	435	250	18	230
AM10/AK10	445	249	200	315	250	30	475	389	70	80	540	365	290	M10	M10	10	10	70	60	90	38	38	10	10	211	435	250	18	238

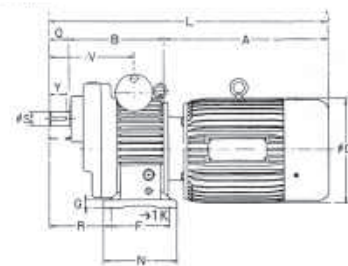
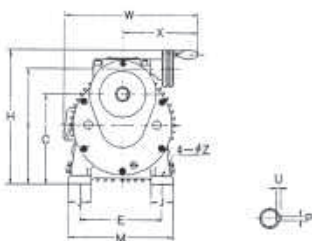
* Larger model available, contact Varitron® or your sales personal. 如需更大型號, 請洽中國變速。



Frame Size 型號	B	C	H	I	L	LA	LB	LC	LE	LG	LN	LZ	O	O ₁	P	P ₁	Q	Q ₁	S	S ₁	U	U ₁	V	W	X	kg
AVM02/AV02	110	66	182	142	240	130	110	160	3.5	10	4	10	M5	M5	5	5	30	25	14	14	5	5	99	201	121	18
AVM05/AV05	115	87	215	174	246	130	110	160	3.5	12	4	12	M5	M5	5	5	30	30	14	14	5	5	110	249	149	26
AVM1/AV1	137	103	246	205	285	165	130	200	3.5	12	4	12	M6	M6	6	6	40	30	19	19	6	6	129	266	166	36
AVM1/AV2	173	120	308	241	300	165	130	200	4	16	4	15	M6	M6	8	8	50	40	24	24	8	8	157	315	190	59
AVM3/AV3	208	147	375	295	366	215	180	250	4	16	4	15	M8	M8	8	8	60	50	28	28	8	8	187	370	220	87
AVM5/AV5	208	147	375	295	396	215	180	250	4	16	4	15	M8	M8	8	8	60	50	28	28	8	8	187	370	220	103
AVM8/AV8	249	184	459	373	540	265	230	300	5	20	4	19	M10	M10	10	10	70	60	38	38	10	10	211	435	250	230
AVM10/AV10	249	184	459	373	540	265	230	300	5	20	4	19	M10	M10	12	10	70	60	38	38	10	10	211	435	250	238

* Larger model available, contact Varitron® or your sales personal. 如需更大型號, 請洽中國變速。

一段減速機 (減速比 1/2.5、1/5) AHM型



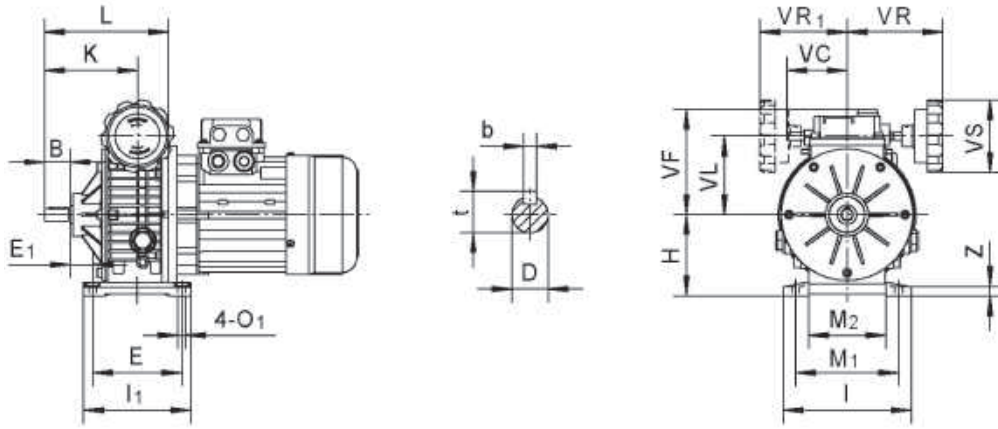
50Hz
1/2.5=67~400RPM
1/5=34~200RPM
60Hz
1/2.5=80~480RPM
1/5=40~240RPM

Frame Size 型號	A	B	C	D	E	F	G	H	I	J	K	L	M	N	P	Q	R	S	U	V	W	X	Z	kg
AHM02	210	117	106	145	110	105	12	188	170	25	25	357	140	125	5	30	68	16	5	116	270	121	9	22
AHM05	210	140	135	150	130	105	15	218	177	32	30	380	160	135	5	30	84	20	5	134	280	149	10	28
AHM1	227	171	160	170	160	125	15	249	208	40	40	433	190	150	7	35	104	25	7	158	307	166	12	38
AHM2	288	201	190	196	180	140	18	313	246	50	45	534	230	165	7	45	123	30	7	180	341	190	12	63
AHM3	315	246	224	196	245	230	20	378	298	55	50	621	300	270	10	60	123	40	8	260	378	220	14	97
AHM5	355	246	224	226	245	230	20	378	298	55	50	661	300	270	10	60	123	40	8	260	391	220	14	115
AHM8	405	290	290	284	315	250	30	475	389	70	60	760	365	290	12	65	144	50	10	260	461	250	18	265
AHM10	445	290	290	284	315	250	30	475	389	70	65	805	365	290	12	70	149	50	10	260	461	250	18	280

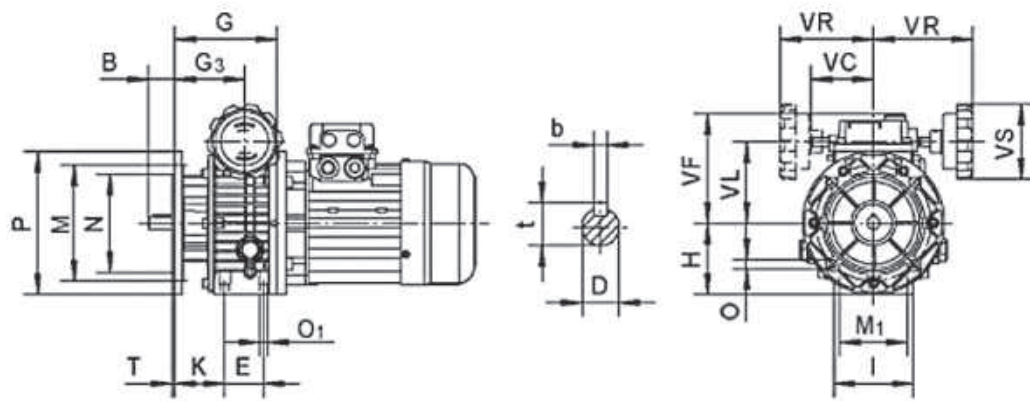
* Larger model available, contact Varitron® or your sales personal. 如需更大型號, 請洽中國變速。

TF/ TXF EU Type Disco Speed Variator 歐規無段變速機

Dimensions 外型尺寸表



Frame Size 型號	B	D(j6)	E	E1	H	I	I1	K	L	M1	M2	O1	VF	VL	VR	VR1	b	t	Z
TF002	23	11	105	80	80	145	120	87.5	1355	110	71	9	111	78	110	110	4	12.5	10
TF005	30	14	104	93	93	149	125	104	140	120	96	9	123	90	110	110	5	16	10
TF010	40	19	125	113	113	190	150	125.5	179	160	135	11	140	107	120	120	6	21.5	15
TF020	50	24	140	123	123	241	150	165	238	180	143	12	144	122	150	-	8	27	18
TF030	60	28	230	150	150	300	270	191	268	245	190	14	188	150	160	-	8	31	25
TF050	60	28	230	150	150	300	270	191	268	245	190	14	188	150	160	-	8	31	25
TF100	70	38	250	200	200	365	290	201	319	315	245	18	-	192	194	-	10	41	30



Frame Size 型號	B	H	D(j6)	G	G3	I	M	O	O1	P	T	VF	VL	VR	b	t
TXF002	23	70	11	112.5	64.5	72	115	9	M6	140	3.5	111	78	110	4	12.5
TXF005	30	80	14	110	74	90	130	9	M8	160	3.5	123	90	110	5	16
TXF010	40	100	19	139	85.5	98	165	11	M8	200	3.5	140	107	120	6	21.5
TXF020	50	126	24	188	115	241	165	11	-	200	3.5	144	122	150	8	27
TXF030	60	150	28	208	131	270	215	15	-	250	4	188	150	160	8	31
TXF050	60	150	28	208	131	270	215	15	-	250	4	188	150	160	8	31
TXF100	70	200	38	244	131	-	265	19	-	300	5	-	192	194	10	41

POWER TRANSMISSION INDEX

A1

Cycloidal Drive Reducer

賽驅樂減速機

HM



Pg.A47

HX



Pg.A55

H



Pg.A61

VM



Pg.A64

VX



Pg.A72

V



Pg.A78

Page
A01~A82

A2

RV Precision Cycloidal Gear

高精密擺線減速機

RV-E



Pg.A84

RV-C



Pg.A84

Page
A83~A84

B1

Precision Planetary Gearbox

精密行星減速機

DA



Pg.B06

DG



Pg.B08

DGT



Pg.B10

DM



Pg.B12

DML



Pg.B14

DF



Pg.B16

DH



Pg.B18

DL



Pg.B20

DN



Pg.B22

RAM-S



Pg.B24

RAM-SS



Pg.B25

RAM-H



Pg.B26

RAM-D



Pg.B27

RAM-F



Pg.B28

RAH-S



Pg.B30

RAH-SS



Pg.B31

RAH-H



Pg.B32

RAH-D



Pg.B33

RAH-F



Pg.B34

HRP



Pg.B38

HRP-H



Pg.B39

Page
B01~B39

B2

Planetary Gear Reducer

遊星式減速機

HF



Pg.B47

VF



Pg.B48

HS



Pg.B49

VS



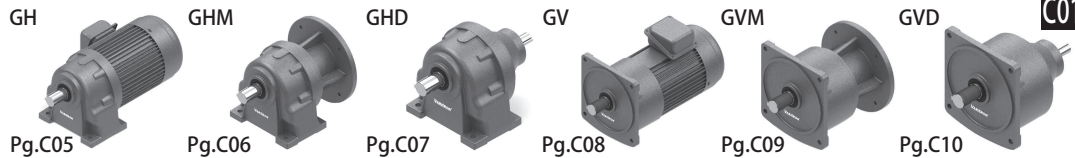
Pg.B50

Page
B40~B51

C1

Compact Helical Gear Motor Reducers

小型齒輪減速機



Page
C01~C10

C2

Helical Gear Motor Reducers

齒輪減速機



Page
C11~C16

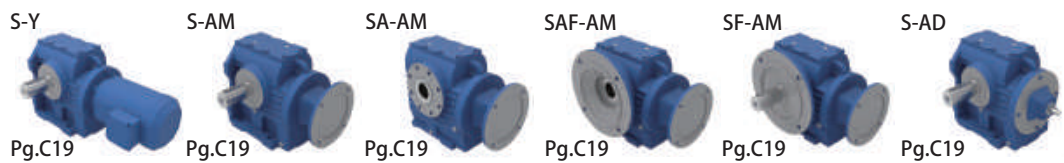
C3

SEW Type Gear Reducer

歐規齒輪減速機



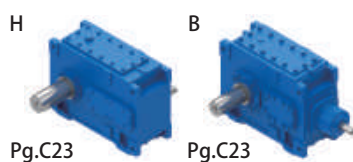
Page
C18~C21



C4

Industrial Helical Bevel Gearbox

齒輪箱



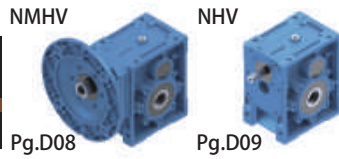
Page
C22~C23

POWER TRANSMISSION INDEX

D1

NMHV Hypoid-Helical Gear Reducer

萬向螺旋齒輪減速機



Page
D01~D09

D2

NMRV Worm Gear Reducer

萬向蝸輪減速機

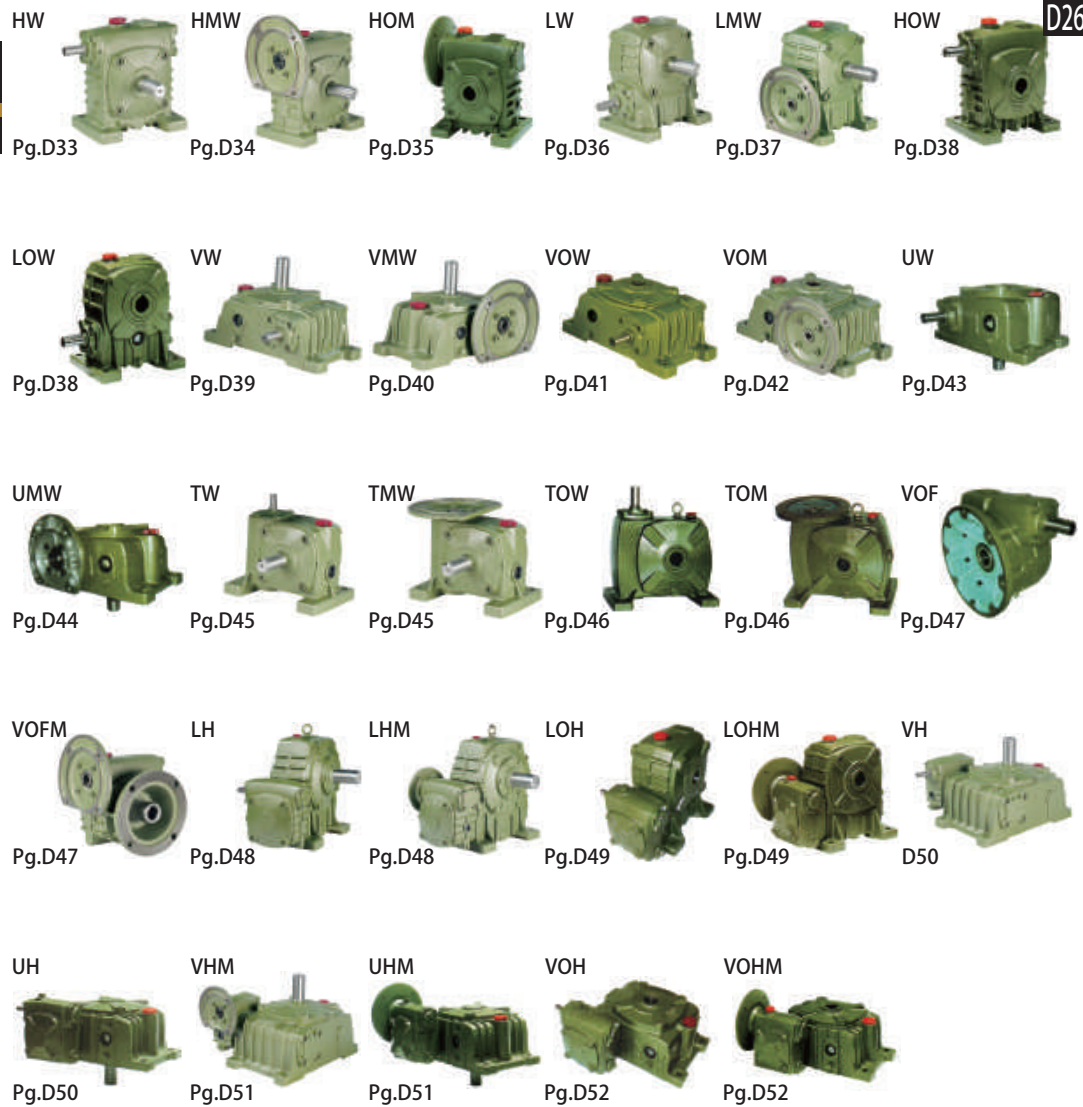


Page
D10~D25

D3

Worm Gear Speed Reducer

蝸輪減速機



Page
D26~D53

E1

Disco Speed Variator

無段變速機



Pg.E07

Pg.E07

Pg.E07

Pg.E07

Pg.E07



Pg.E08

Pg.E08

Page
E01~E08

E2

Belt Steplless Variable Speed Drive

皮帶變速機



Pg.E09

Pg.E10

Page
E09~E10

E3

Five Steps Buffered Speed Changer

五段緩衝式變速機



Pg.E11

Page
E11

E4

PIV Chain Variable Speed Drive

鍊條無段變速機



Pg.E13

Pg.E13

Page
E12~E14

F1

Spiral Bevel Gear Box

十字轉向機



Pg.F03

Page
F01~F03

F2

Spiral Screw Rod Actuators

螺桿升降機



Pg.F06

Pg.F06

Page
F05~F07

G

Induction Electric Motor

感應馬達



Pg.G06

Pg.G07

Pg.G09

Pg.G10

Pg.G10

Page
G01~G10

H

Agitator Mixer

攪拌機



Pg.H05

Pg.H06

Pg.H07

Pg.H08

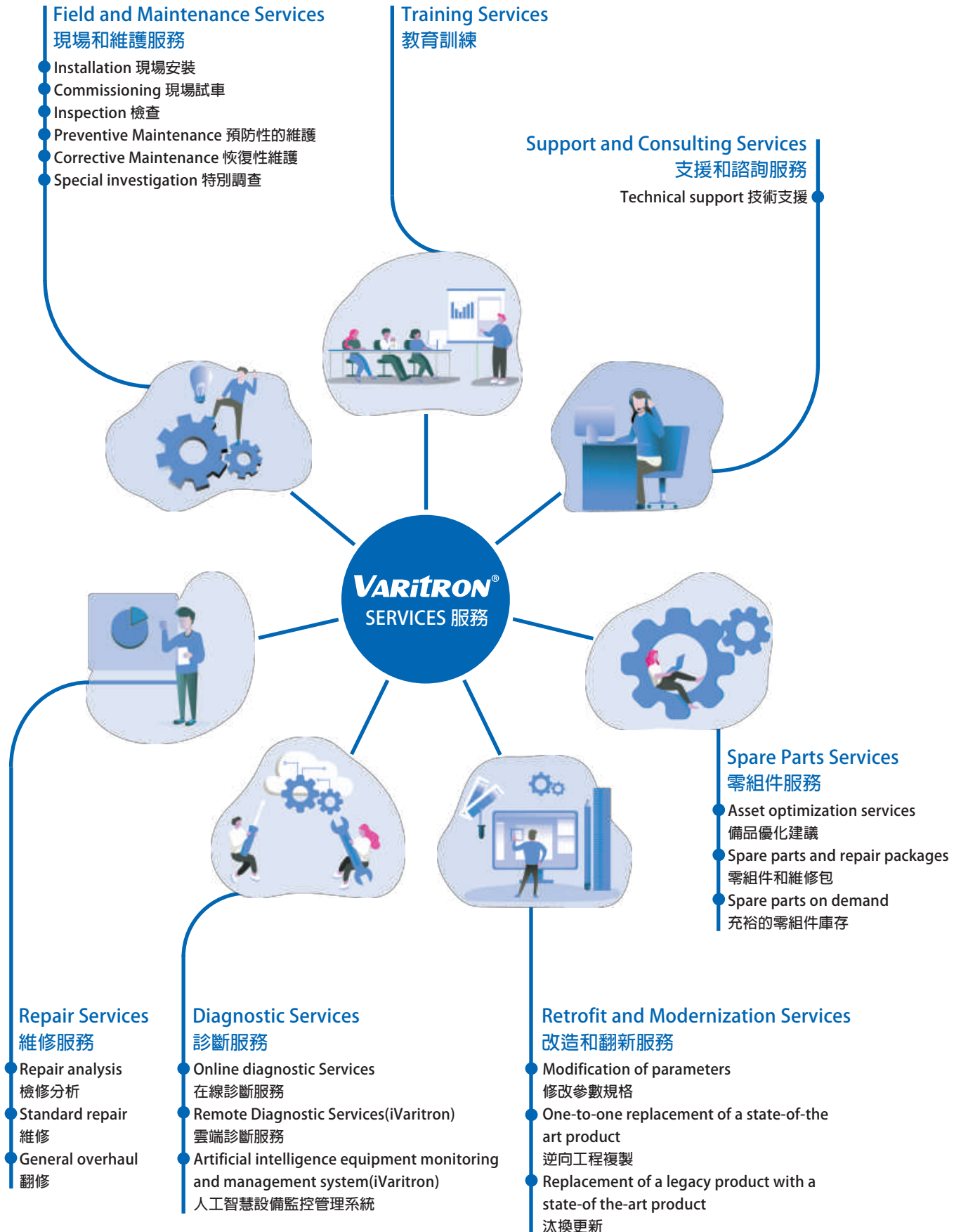
Pg.H09

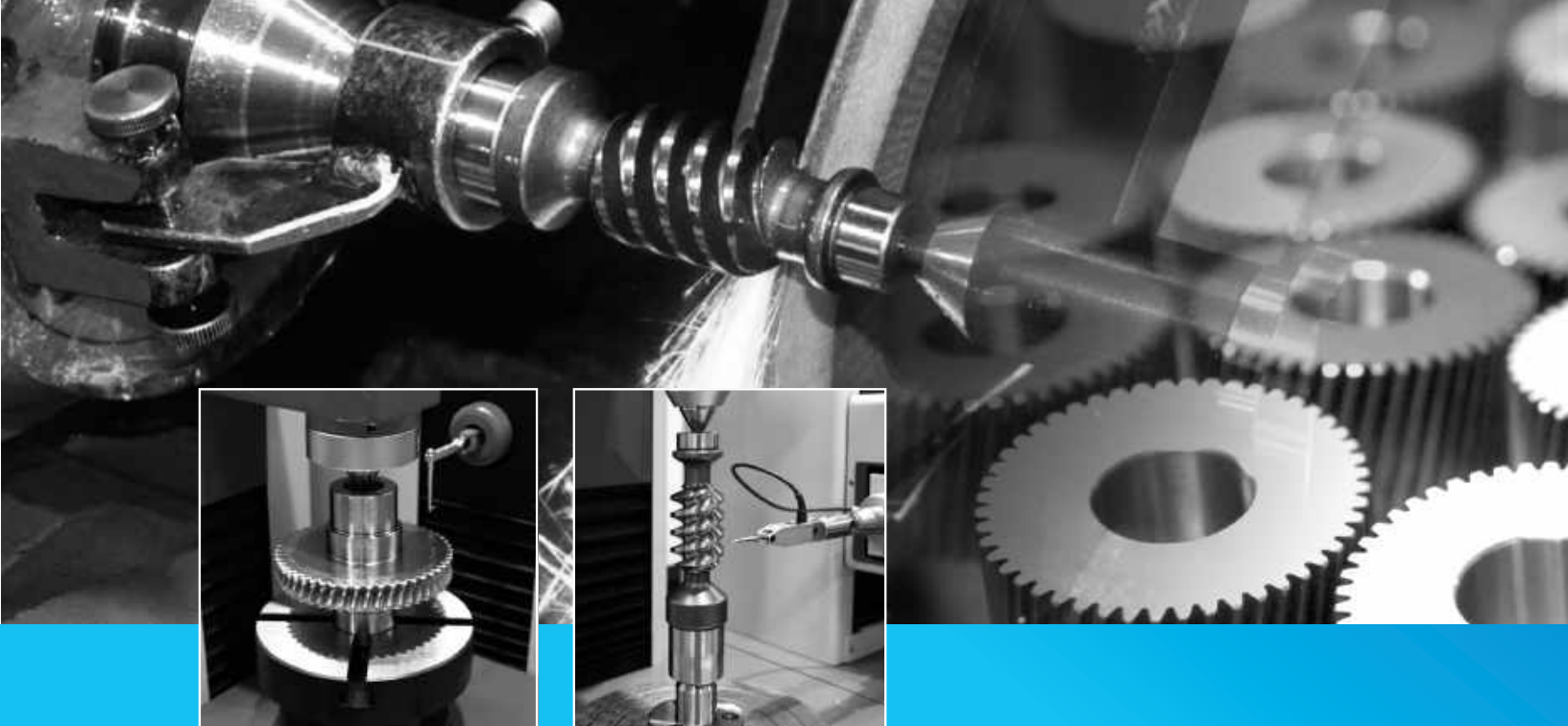
Pg.H10

Page
H01~H10

VARITRON® Total Solution for Transmission Units

全方位的驅動產品服務





MADE IN TAIWAN

Service perfection, Quality superiority, Research and Development are the core enterprise spirits of VARITRON since 1971. Responding to both domestic customers and international market demands, we never stop to make innovation for gearbox function, efficiency and quality improvement, accompany with accurate and in-time after service. To improve quality control, VARITRON has been certified with ISO9001 since 2008.

Varitron wide power transmission product line including Cycloidal Drive, Precision Planetary Gearbox, Helical Gearmotor, Planetary Gear Reducers, Worm Gearbox, Variator and Induction Motor provides different industries sectors including CNC Machineries, Semi-conductor, Chemical, Steel Industries, Factory facilities, Automation Machineries, robo-tic arm With Varitron strong mechanical engineering team, Varitron provides customizes transmission gearbox and many newly innovated pattern products.

Service

Towards Varitron's Half-century, we serve more than 40 countries. VARITRON has more than 10 service points in cooperation with regional agents globally to timely assist our customers not only for hardware, like parts and maintenance, but also for software, like design consultant

Quality

Quality Perfection is Varitron's core value, new machinery and quality check equipment is deploy in the manufacturing. Minimum 30 quality check point is done from raw material to final gearbox. In-house testing laboratory, ISO9001 and ISO14001 quality control system to ensure every gearbox meets perfection.

Innovation

Our specialized R&D teams constantly developing new gearbox, gear motor and motors for effectively fabricating transmission products, and working to improve machine quality. VARITRON never stops doing market surveys and attending international exhibitions. With decades of knowledge accumulated about market information and changes in machineries trends, we can provide the most valuable information to our clients and assist our clients in industrial upgrading.



VARITRON®
Take Control In Speed

「服務」、「品質」、「研發」是中國變速工程股份有限公司自1971年成立以來一直秉持的核心精神。為因應國際多元化的市場需求，我們不斷挑戰速度及品質的極限亦擁有領先且精密的技術，在近半世紀的努力下，終於從一家國內的減速機工廠蛻變為國際優秀的工業自動化領導品牌。

本公司生產之減速機種類多元，包含賽驅樂減速機、低背隙行星減速機、齒輪減速機、遊星式減速機、蝸輪減速機、無段變速機、攪拌機系列等等，其工業品上的應用更是跨足不同產業，從CNC自動化、汙水處理廠、造紙廠、機械手臂、半導體及到化工廠等等…。為了滿足客戶各項傳動需求，我們尚提供客製化技術，為客戶量身打造一套屬於自己的產品，為客戶節省更多測試及人力成本。

我們具有性能卓越的獨家技術、不斷研發的專利產品，同時還有完善的售前/後服務，才能讓本公司於眾多製造廠商中脫穎而出。

服務

經過半世紀的努力，我們的客戶已超過40個國家，為因應海外市場龐大的業務量及秉持服務品質不縮水的精神，我們已在海外增設多個據點，提供給客戶更即時性的服務。

品質

因為品質的堅持是我們最重要的信念，所以本公司引進最新型、最先進的技術及機器，生產的每樣產品從原料到成品皆須歷經30道以上的檢驗關卡，我們希望透過最嚴謹的製造流程，來確保品質的無虞，並致力通過ISO9001及ISO14001的認證。除證實我們對於品質與自我的要求外，更帶領我們達到積極追求的目標 - 「提供高效率且環境友善的產品」，為環境永續更盡一份心力。

研發

本公司憑藉著永續經營、鍥而不捨的研發精神，不斷吸納專業人才、研發新技術，並努力拓銷至國際市場(韓國、日本、東南亞、澳洲、美國及歐洲等四十多個國家)，歡迎您來體驗中國變速所帶給您的傳動新感受。

www.varitron.com.tw
www.c-var.com

台灣 **中國變速工程股份有限公司**
Varitron Engineering (Taiwan) Co., Ltd.

台灣新北市五股區中興路一段171巷45號
No.45, Ln.171, Sec.1, Zhongxing Rd.,
Wugu Dist., New Taipei City, Taiwan
TEL:+886-2-2988-9598
FAX:+886-2-2985-0998
EMAIL:sales@c-var.com

